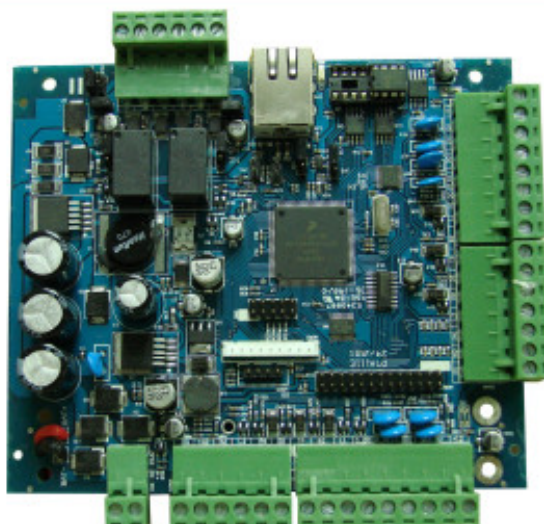




## FEATURES:-

- ✓ Supports single/ double doors ie. up to 2x EM locks & 1 x in & 1 x out proximity readers for single door / 4 x EM locks, 2x in & 2x out proximity readers for double doors.
- ✓ Supports up to 150k users & 80k events
- ✓ Supports firmware upgrade via IE
- ✓ Native IP with Peer to Peer communication
- ✓ High speed data transmission to server
- ✓ Compatible with various reader technologies
- ✓ Interlocking
- ✓ Built-in web server
- ✓ AES- 128 Encryption



## SMART ARCHITECTURE

### Effective Infrastructure

Leverage on the usage of existing network infrastructure, hence saving your cost.

### Adaptive Network Bandwidth

High bandwidth with high speed polling transmits data easily, enabling real-time transaction to the users.

## ACTIVE ENVIRONMENT

### Client to Server Environment

Communication between Server and FALCO controllers happens whenever an event is active on the controller.

### Peer to Peer Communication

Communication between one controller with another controller without the need of the database server acting as the facilitator.

## ADVANCED TECHNOLOGY

### High Speed Transmission

-Patented card searching algorithm to search card database within 1 second for controller memory of 150k users.

### Secure Technology

- Falco proprietary protocol utilized.
- Integrated power supply module ensures stable operation despite electricity cut-off
- Door controller and the relay are placed in secure location for the better security

### Larger Storage

-Unbeatable technology enables Falco controller to support up to 150k users & 80k events memory.



Copyright FALCO™. All rights reserved.



**brickwell**

[enquiry@brickwell-intl.com](mailto:enquiry@brickwell-intl.com)

# IP 1 | 2 DOOR CF CONTROLLER

## SPECIFICATION:-

PROCESSING UNIT	Freescale CF microcontroller 32 bits @ 60mHz
MEMORY	1024 kb EEPROM & 16 Mb FLASH
BATTERY CHARGER	12 VDC / 7AH (Onboard battery backup charger)
READER SUPPORTED	1 door (2 readers) / 2 doors (4 readers) -12vDC @200mA per reader port
READER TECHNOLOGY	Standard Wiegand format (26 bit -64 bit)
USERS / EVENTS	Standard 70k users, 40k events, upgradable to 150k users, 80k events
COMMUNICATION	RJ45 Ethernet/ 10/100 Base-T ( Max 100m / 328ft.)
NETWORK PROTOCOLS	TCP/IP, ARP, DHCP
INPUTS FUNCTIONALITY	Fire input/ exit push button / door contact/ tamper
CONTROLLER	Supports 2 destination IP addresses
DIMENSION / WEIGHT	PCB board = 137 (L) x117 (W) x 15.5 (H) mm / 25g
OPERATING TEMPERATURE	0°C ~ 55°C / 32° ~ 165°F (subject to battery specification)
HUMIDITY	0 ~ 85% Humidity (relative non-condensing)
POWER	14.5 VAC @ 12 VDC (Onboard power supply module max 2.0A)
SECURITY ENCRYPTION	AES- 128
CERTIFICATIONS	CE RoHS

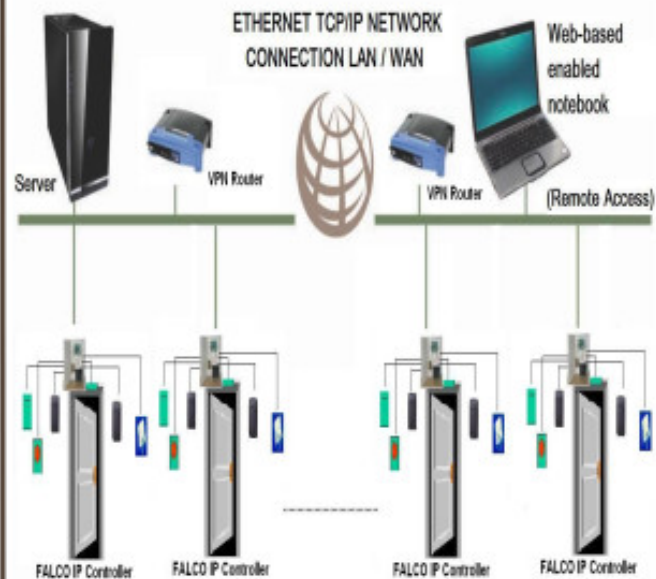
## ORDER INFORMATION :-



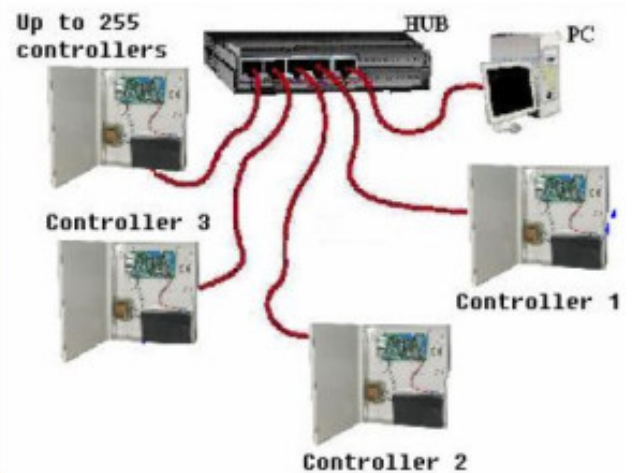
**1 door controller**  
Model : CTRL-1DR-CF/IP(2.0A)-PCB

**2 doors controller**  
Model : CTRL-2DR-CF/IP(2.0A)-PCB

## FALCO DOOR TCP/IP SITE SYSTEM ARCHITECTURE



## FALCO DIGITAL IP ACCESS CONTROL WITH TCP/IP



## ACCESSORIES :-



Metal Casing



Transformer  
FALCO™



12V DC BATTERY

Copyright FALCO™. All rights reserved.



[enquiry@brickwell-intl.com](mailto:enquiry@brickwell-intl.com)

# FALCO RFID PROXIMITY /MIFARE SMARTCARD READER



## FEATURES:-

- ✓ 125KHz EM Card/ 13.56 MHz Mifare Card
- ✓ Read range up to 10 cm (EM) / up to 5 cm (MIFARE)
- ✓ 26/34 bit Wiegand (default)
- ✓ Easy to install on Metal Door Frame Mullion.
- ✓ External LED control
- ✓ External buzzer control.
- ✓ Indoor/ Outdoor Operation
- ✓ Solid Epoxy Potted
- ✓ Waterproof
- ✓ Reverse Polarity Protection

## ORDER INFORMATION :-



### EM Format

Model : AY-Y20B PROX READER-O/D,LED & BUZZ CTRL-BLACK

### Mifare Format

Model : AY-Y25B FALCO SMART CARD MIFARE READER



This new, rigid and reliable unit provides the capability to read EM/Mifare® Smartcard Contactless cards with any standard access control system.

The AY-Y20/AY-Y25 is fully potted, sealed and made of a rigid, UV resistant poly-carbonate, which makes it highly suitable for outdoor use. With a maximum range of 10cm for EM and 5cm for Mifare, it makes a very simple, reliable and cost effective way to upgrade your system to Smartcard standard.

## SPECIFICATION:-

Model	AY-Y20		AY-Y25
Read Range	10 cm		5cm
Reading Time (Card)	≤300ms		
Power /Current	DC 6-14V/ Max.70mA		
Input Port	2ea ( External LED Control, External Buzzer Control )		
Output Port	26 bit Wiegand		34 bit Wiegand
LED Indicator	2 Colours LED Indicators (Red & Green)		
Beeper	Yes		
Operating Temperature	-20 °C to +65°C		
Operating Humidity	10% to 90% relative humidity non condensing		
Colour	Black		
Index of Protection	IP65		
Dimension	83mm x 41.5mm x 26mm		



**brickwell**



# ASC-600I

FALCO EM LOCK (CE)  
HOLDING FORCE: 600LBS  
HOUSING DIMENSION: 250 X 42 X 25  
MM  
ARMATURE PLATE DIMENSION:  
180 X 38 X 11 MM  
VOLTAGE: 12/24V DC  
POWER REQUIREMENTS: 480MA /  
240MA  
MOUNTING TYPE: SURFACE MOUNT  
BUILT-IN: MAGNETIC BOND SENSOR,  
LED,  
NC/NO, JUMPER SELECTOR  
ELECTROLESS NICKEL (EN) PLATED  
ARMATURE  
PLATE



## FA-102/2P/G / FA-102/2P/W

MANUAL CALL POINT  
MAX VOLTAGE: 30V DC  
CURRENT RATING: 12/24V DC 5A  
DPDT  
COLOR: WHITE / GREEN  
DIMENSION: 88 X 88 X 55 MM  
CE CERTIFICATIONS



**brickwell**

[enquiry@brickwell-intl.com](mailto:enquiry@brickwell-intl.com)

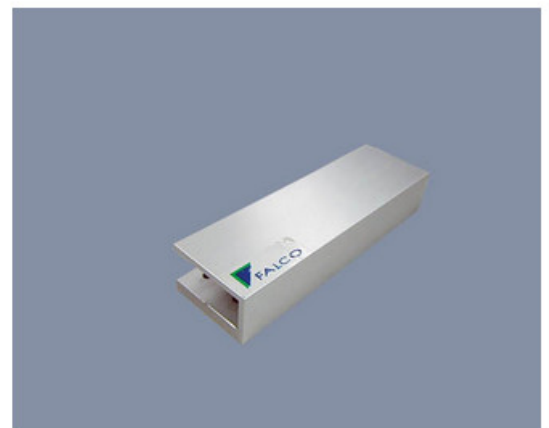
# ZL-600

MOUNTING BRACKETS  
600LBS ZL-BRACKET  
FOR INSWING DOOR



# U-600

MOUNTING BRACKETS  
600LBS U-BRACKET  
FOR FRAMELESS GLASS DOOR



**brickwell**

[enquiry@brickwell-intl.com](mailto:enquiry@brickwell-intl.com)